

1 OVERALL SITE PLAN
 SCALE: 1-1/2"=1'-0" (FULL SIZE)
 3/4"=1'-0" (11x17)



SIGFOX
 One network A billion dreams
 68 2ND STREET 3RD FLOOR
 SAN FRANCISCO, CA 94105

CROWN CASTLE
 20 N. MARTINGALE DRIVE, SUITE 440
 SCHAUMBURG, IL 60173

SIGFOX SITE NUMBER: WI6955

BU #: 843991
 DE KOVEN RL

1828 DE KOVEN AVENUE
 RACINE, WI 53403

EXISTING 150'-0" MONOPOLE

ISSUED FOR:

REV	DATE	DRWN	DESCRIPTION	DES./QA
A	12/08/16	JRM	PRELIMINARY	LMR
B	03/30/17	CJ	PRELIMINARY	RAB
0	04/10/17	CJ	CONSTRUCTION	LMR

DocuSigned by:

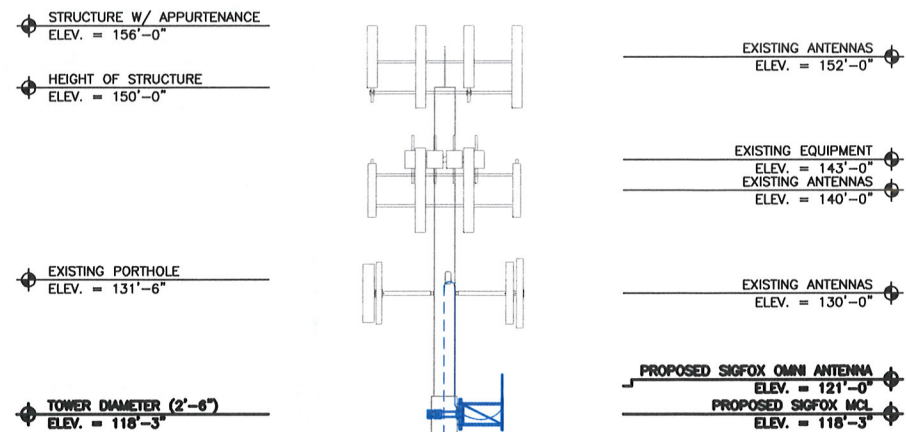


4/10/2017 | 12:09:51 PM EDT

Richard A. Boelter, P.E.
 Professional Engineering License #E-36526
 Crown Castle USA, Inc. COA #3520-11

IT IS A VIOLATION OF LAW FOR ANY PERSON,
 UNLESS THEY ARE ACTING UNDER THE DIRECTION
 OF A LICENSED PROFESSIONAL ENGINEER,
 TO ALTER THIS DOCUMENT.

SHEET NUMBER: **C-1** REVISION: **0**

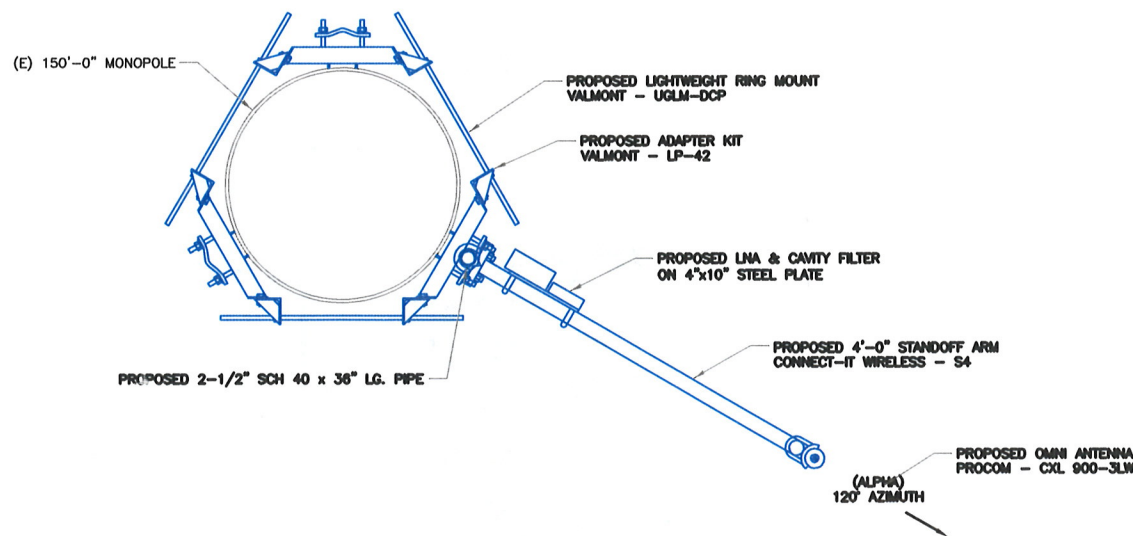


INSTALLER NOTE:
 DIRECT TOWER MOUNTED EQUIPMENT MUST NOT TRAP OR INTERFERE W/ CLIMBING PEGS/STEPS AND SAFETY CLIMB.

(E) 150'-0" MONOPOLE

PROPOSED FEEDLINE
 (1) 1/2" EC4-50
 ROUTED INSIDE MONOPOLE

1 FINAL ELEVATION
 SCALE: NOT TO SCALE



2 FINAL ANTENNA LAYOUT
 SCALE: NOT TO SCALE



SIGFOX
 One network A billion dreams
 68 2ND STREET 3RD FLOOR
 SAN FRANCISCO, CA 94105

CROWN CASTLE
 20 N. MARTINGALE DRIVE, SUITE 440
 SCHAUMBURG, IL 60173

SIGFOX SITE NUMBER: WI6955

BU #: 843991
 DE KOVEN RL

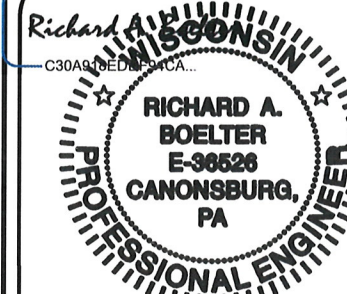
1828 DE KOVEN AVENUE
 RACINE, WI 53403

EXISTING 150'-0" MONOPOLE

ISSUED FOR:

REV	DATE	DRWN	DESCRIPTION	DES./QA
A	12/08/16	JRM	PRELIMINARY	LMR
B	03/30/17	CJ	PRELIMINARY	RAB
0	04/10/17	CJ	CONSTRUCTION	LMR

DocuSigned by:

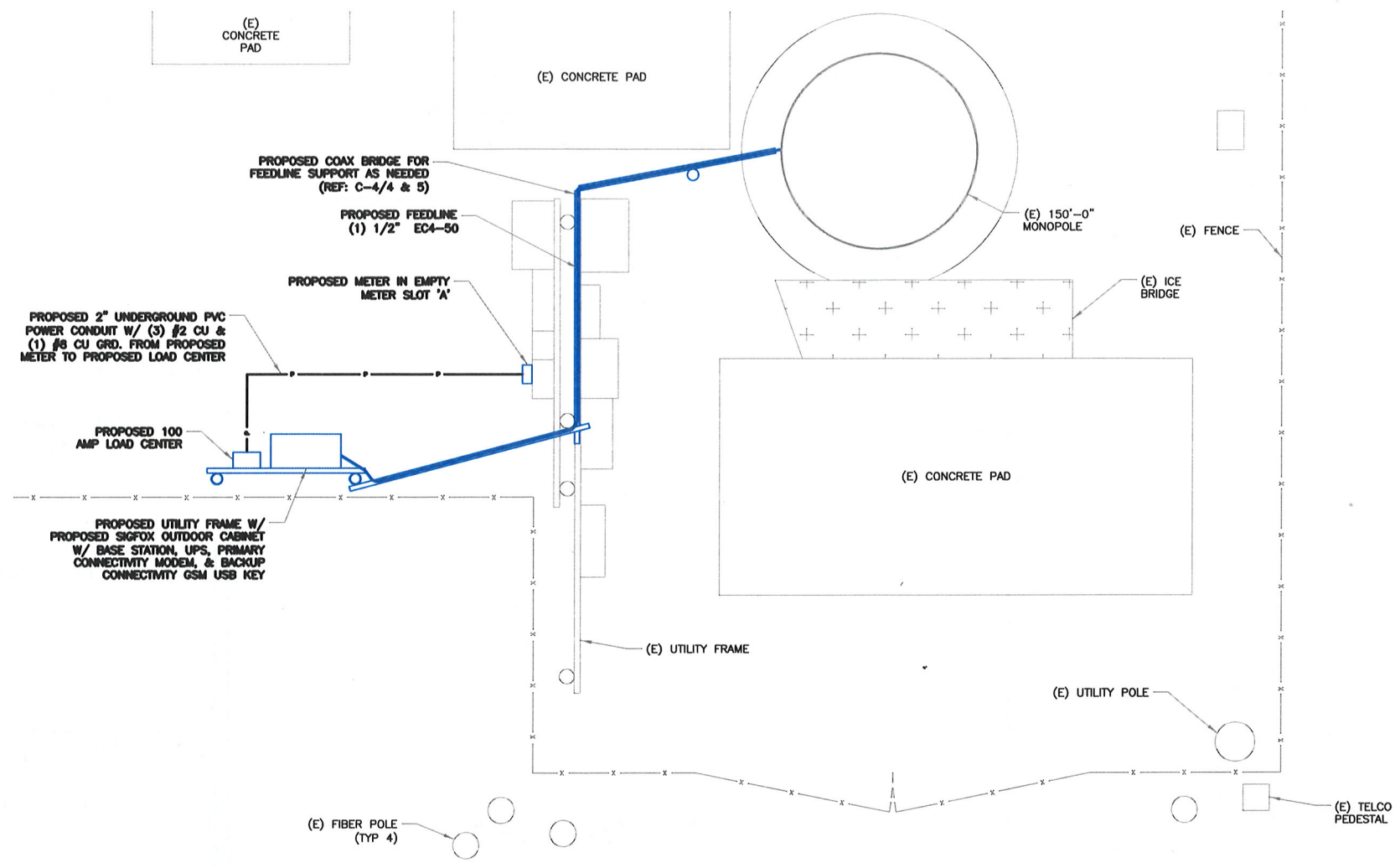


4/10/2017 | 12:09:51 PM EDT

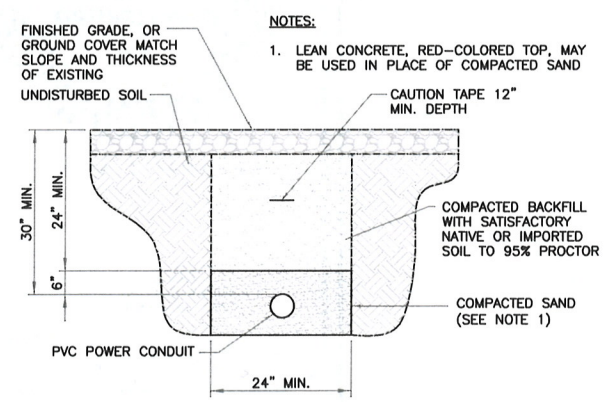
Richard A. Boelter, P.E.
 Professional Engineering License #E-36526
 Crown Castle USA, Inc. COA #3520-11

IT IS A VIOLATION OF LAW FOR ANY PERSON, UNLESS THEY ARE ACTING UNDER THE DIRECTION OF A LICENSED PROFESSIONAL ENGINEER, TO ALTER THIS DOCUMENT.

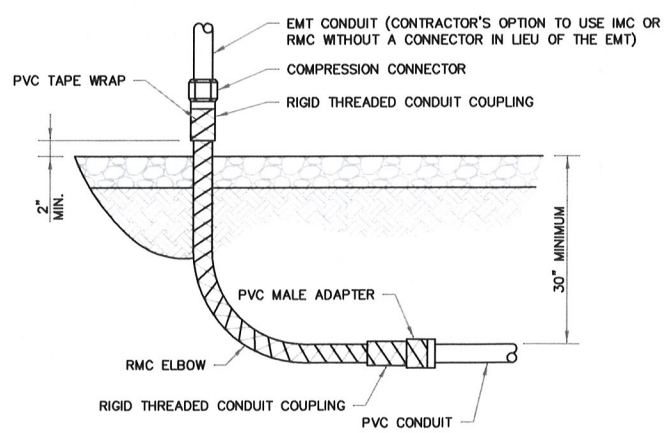
SHEET NUMBER: **C-2** REVISION: **0**



1 UTILITY ROUTING PLAN
 SCALE: 1/4"=1'-0" (FULL SIZE)
 1/8"=1'-0" (11x17)



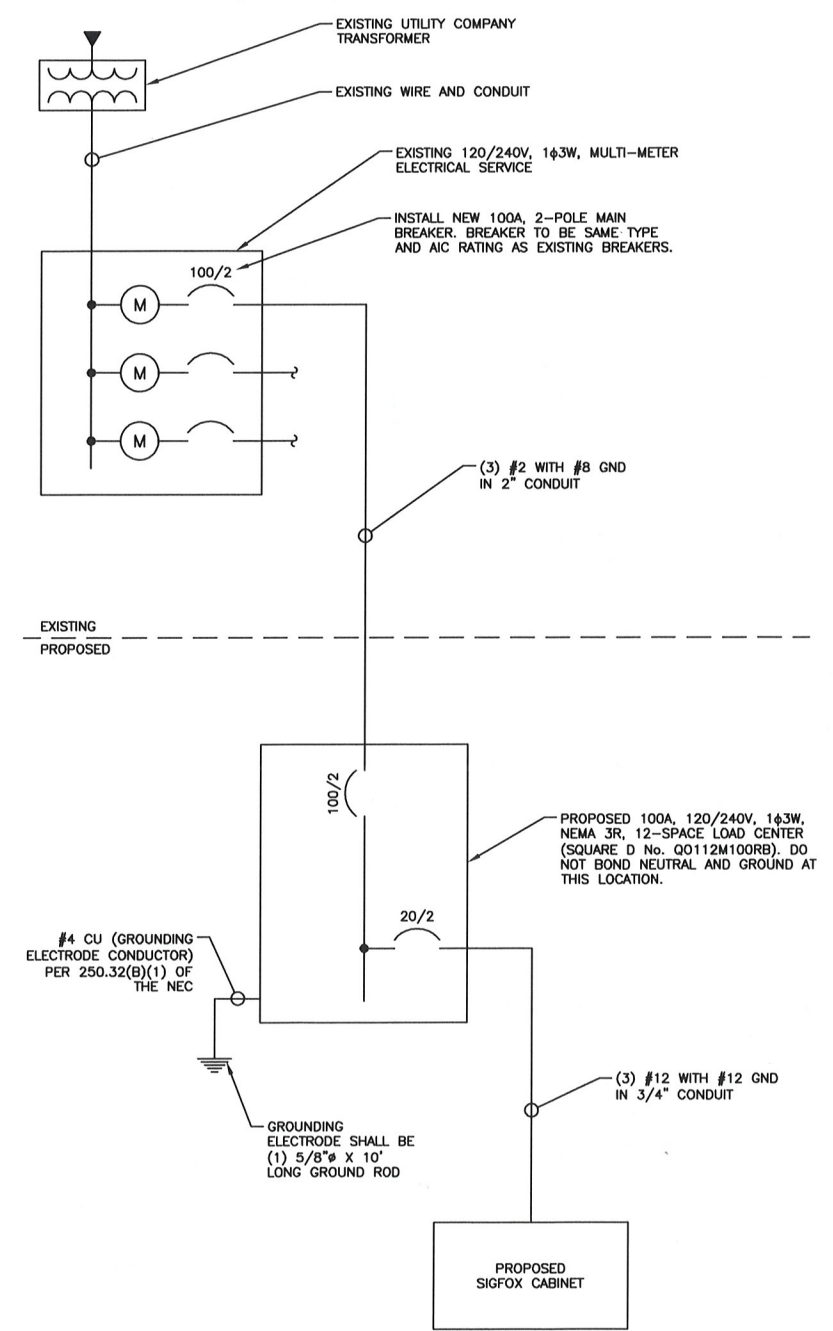
2 TRENCH DETAIL
 SCALE: NOT TO SCALE



3 CONDUIT STUB UP DETAIL
 SCALE: NOT TO SCALE

ALL METAL CONDUIT INSTALLED IN DIRECT CONTACT WITH THE EARTH SHALL BE CONSIDERED TO BE INSTALLED IN A SEVERELY CORROSIVE ENVIRONMENT AND IS REQUIRED TO HAVE SUPPLEMENTAL PROTECTION AGAINST CORROSION (NEC ARTICLE 342.10(B) & 344.10(B)(1)). THIS PROTECTION SHALL EITHER BE AN APPROVED MANUFACTURER INSTALLED PROTECTIVE COATING ON THE CONDUIT OR SHALL BE (2) LAYERS OF 10 MIL PVC PIPE WRAP TAPE INSTALLED USING OPPOSING SPIRAL WRAPS. ON VERTICAL PIPE THE OUTSIDE LAYER OF TAPE SHALL BE WRAPPED SO AS TO PROVIDE SHEDDING OF WATER (i.e. TAPE SHOULD WRAP IN AN UPWARD DIRECTION WITH LOWER WRAP BEING BENEATH THE WRAP ABOVE). SPIRAL WRAPS SHALL HAVE A MINIMUM OF 1/4" OVERLAP WITH THE PRECEDING TAPE WRAP. ANY OTHER METHODS OF CORROSION PROTECTION SHALL REQUIRE APPROVAL BY THE ENGINEER OF RECORD PRIOR TO BEING USED.

- NOTES:
1. ALL NEW CONDUCTOR WIRE TO BE INSTALLED SHALL BE COPPER. ALL WIRE LARGER THAN #10 SHALL BE XHHW-2, THWN-2, THW-2, OR RHW-2 UNLESS NOTED OTHERWISE.
 2. CONTRACTOR IS TO FIELD VERIFY ALL EXISTING ITEMS SHOWN ON THE ELECTRICAL ONE-LINE DIAGRAM AND NOTIFY THE ENGINEER OF ANY DISCREPANCIES.
 3. ALL GROUNDING AND BONDING PER THE NEC.



4 ONE-LINE DIAGRAM
 SCALE: NOT TO SCALE

SIGFOX
 One network A billion dreams
 68 2ND STREET 3RD FLOOR
 SAN FRANCISCO, CA 94105

CROWN CASTLE
 20 N. MARTINGALE DRIVE, SUITE 440
 SCHAUMBURG, IL 60173

SIGFOX SITE NUMBER: WI6955
 BU #: 843991
 DE KOVEN RL
 1828 DE KOVEN AVENUE
 RACINE, WI 53403
 EXISTING 150'-0" MONOPOLE

ISSUED FOR:

REV	DATE	DRWN	DESCRIPTION	DES./QA
A	12/08/16	JRM	PRELIMINARY	LMR
B	03/30/17	CJ	PRELIMINARY	RAB
0	04/10/17	CJ	CONSTRUCTION	LMR

DocuSigned by:
Richard A. Boelter
 PROFESSIONAL ENGINEER
 RICHARD A. BOELTER
 E-36526
 CANONSBURG, PA

4/10/2017 | 12:09:51 PM EDT

Richard A. Boelter, P.E.
 Professional Engineering License #E-36526
 Crown Castle USA, Inc. COA #3520-11
 IT IS A VIOLATION OF LAW FOR ANY PERSON, UNLESS THEY ARE ACTING UNDER THE DIRECTION OF A LICENSED PROFESSIONAL ENGINEER, TO ALTER THIS DOCUMENT.

SHEET NUMBER: **E-1** REVISION: **0**