

**REQUEST TO PLACE MATERIAL  
IN THE PUBLIC RIGHT-AWAY**

PROPERTY ADDRESS 245 Main Street

APPLICANT Dunn Bros Coffee

ADDRESS 6404 Nature Dr. 02

CITY Racine STATE WI PHONE 262.902.1345

OWNER Cathy Holding

ADDRESS 6404 Nature Dr.

CITY Racine STATE WI PHONE 262.902.1345

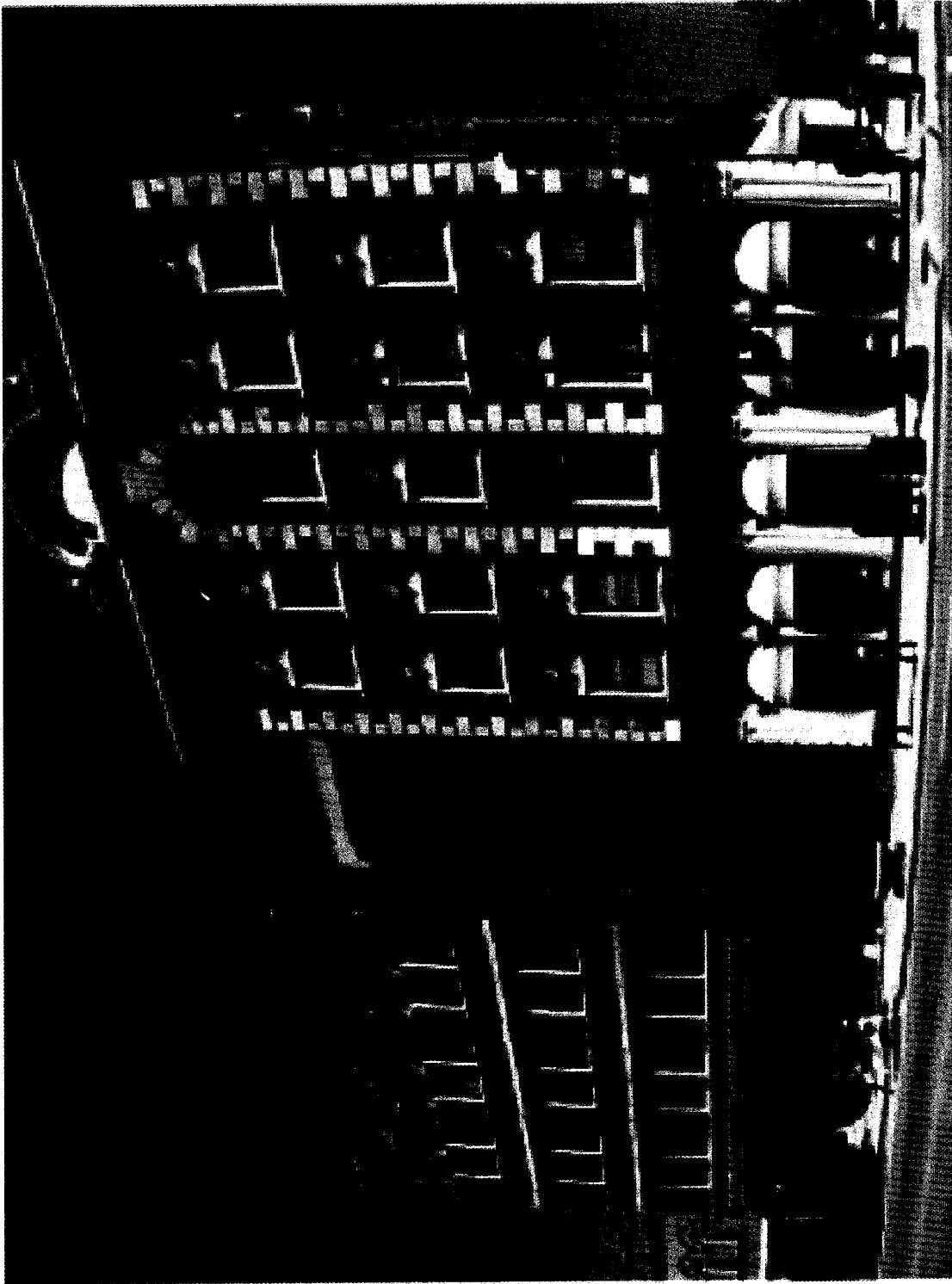
- TYPE OF MATERIAL: (CHECK ONE)**
- CANOPY OR AWNING
  - FREE STANDING SIGN
  - PROJECTING SIGN
  - RESCUE PLATFORM
  - TABLES AND CHAIRS
  - DECORATIONS OR PLANTER
  - ITEMS FOR SALE
  - OTHER \_\_\_\_\_

CITY OF RACINE  
RECEIVED  
NOV 9 2006

RIGHT TO PLACE  
CHIEF OF POLICE  
BY [Signature]

**SUBMITT COMPLETE DETAILS AND DRAWINGS ON SEPERATE SHEETS. INCLUDE COLORS, GRAPHICS, AND DIMENSIONS.**

06-2867



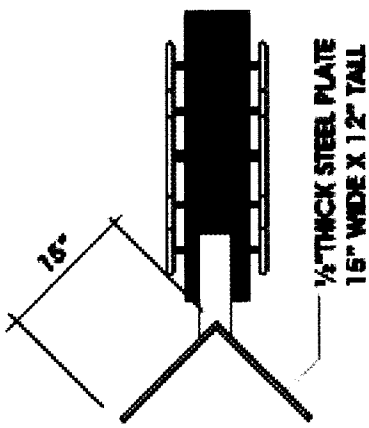
all design, engineering, architectural, and other work of this document is strictly prohibited without the written consent of LTR LET GRAPHIC. The document is being provided for informational purposes only and is not to be copied, reproduced, or used in any way without the express written consent of LTR LET GRAPHIC. All rights reserved. LTR LET GRAPHIC, Inc. and its subsidiaries shall not be held liable for any errors or omissions in this document or for any consequences arising therefrom.

8290 Main Street  
 Suite 21  
 Fridley, MN 55432  
 (763) 786-1249  
 (763) 786-3768

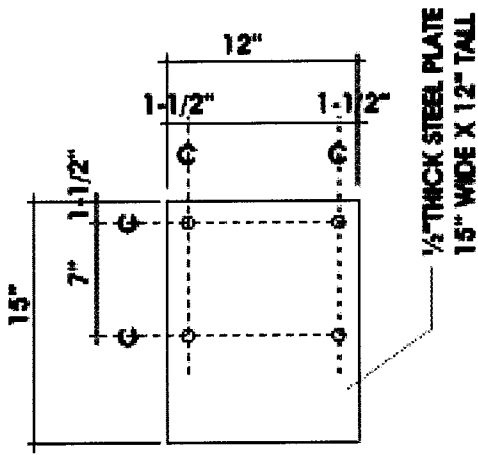
**LET'S GET GRAPHIC**

Date: 6/19/05  
 Rev: 6/27/04  
 Rev: \_\_\_\_\_  
 Rev: \_\_\_\_\_

**DUNN  
 BROS  
 COFFEE**

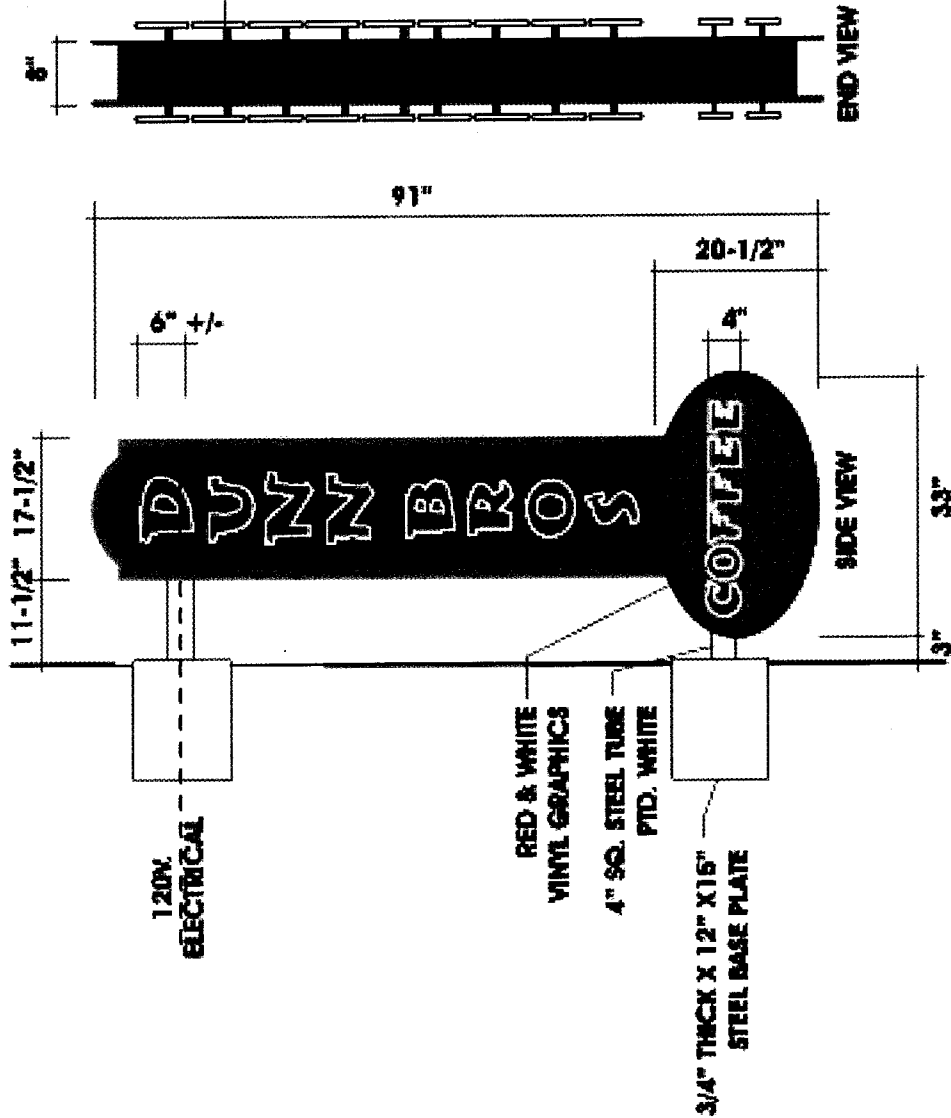


1/2" THICK STEEL PLATE  
16" WIDE X 12" TALL



1/2" THICK STEEL PLATE  
15" WIDE X 12" TALL

ALUM. CABINET PTD.  
BLACK W/ GOLD BORDER  
W/ .125 ALUM. BLACK FACE  
RED VINYL LETTERS W/  
12MM RED NEON BORDER  
(clear when turned off -  
red when lit)



120V.  
ELECTRICAL

RED & WHITE  
VINYL GRAPHICS

4" SQ. STEEL TUBE  
PTD. WHITE

3/4" THICK X 12" X 16"  
STEEL BASE PLATE

SIDE VIEW

END VIEW

Date: 6/19/05  
Rev: 6/27/04  
Rev: \_\_\_\_\_  
Rev: \_\_\_\_\_

8290 Main Street  
Suite 21  
Fridley, MN 55432  
(763) 786-1249  
(763) 786-3768

**LET'S GET GRAPHIC**

**DUNN  
BROS  
COFFEE**

We design, manufacture, reproduce, sell, and ship all of the items on this document unless otherwise noted without the written consent of LET'S GET GRAPHIC. This document is intended for your internal use only. We are not responsible for the reproduction of this document in whole or in part, or any of its contents for use in any other project. We shall not be liable for any damages or losses resulting from the use of this document. We shall not be liable for any damages or losses resulting from the use of this document. We shall not be liable for any damages or losses resulting from the use of this document. We shall not be liable for any damages or losses resulting from the use of this document.

**BLADE SIGN**