

**Solar Ground Lease Amendment #1**

THIS AMENDMENT #1 to the Agreement between the City of Racine (“Landlord”) and Wisconsin Electric Power Company (“Tenant”), is made on this \_\_\_\_day of \_\_\_\_\_, 2020.

WHEREAS, Landlord and Tenant entered into Lease Agreement dated June 22, 2020 (the “Lease”); and

WHEREAS, the Parties now wish to replace Exhibit B and Exhibit C to the Lease with attached Exhibit B which includes the legal description of the Premises as that term is defined in the Lease and attached Exhibit C which is a description of the Solar PV System.

NOW, THEREFORE, in consideration of the foregoing and other good and valuable consideration, the receipt and adequacy of which are hereby acknowledged, the Parties agree as follows:

1. The Parties hereby agree to replace Exhibit B and Exhibit C of the Lease with the Revised Exhibit B and Exhibit C attached to this Amendment #1.

This Amendment #1 constitutes the entire agreement of the parties on the specific subject matter hereof, superseding the prior Exhibit B and Exhibit C. The Lease, as amended by this Amendment #1, remains in full force and effect.

**IN WITNESS WHEREOF**, the Parties, through their duly authorized representative, have caused this Amendment #1 to be executed as of the day and year first above written.

WISCONSIN ELECTRIC POWER  
COMPANY

CITY OF RACINE

By: \_\_\_\_\_

By: \_\_\_\_\_

Name: \_\_\_\_\_

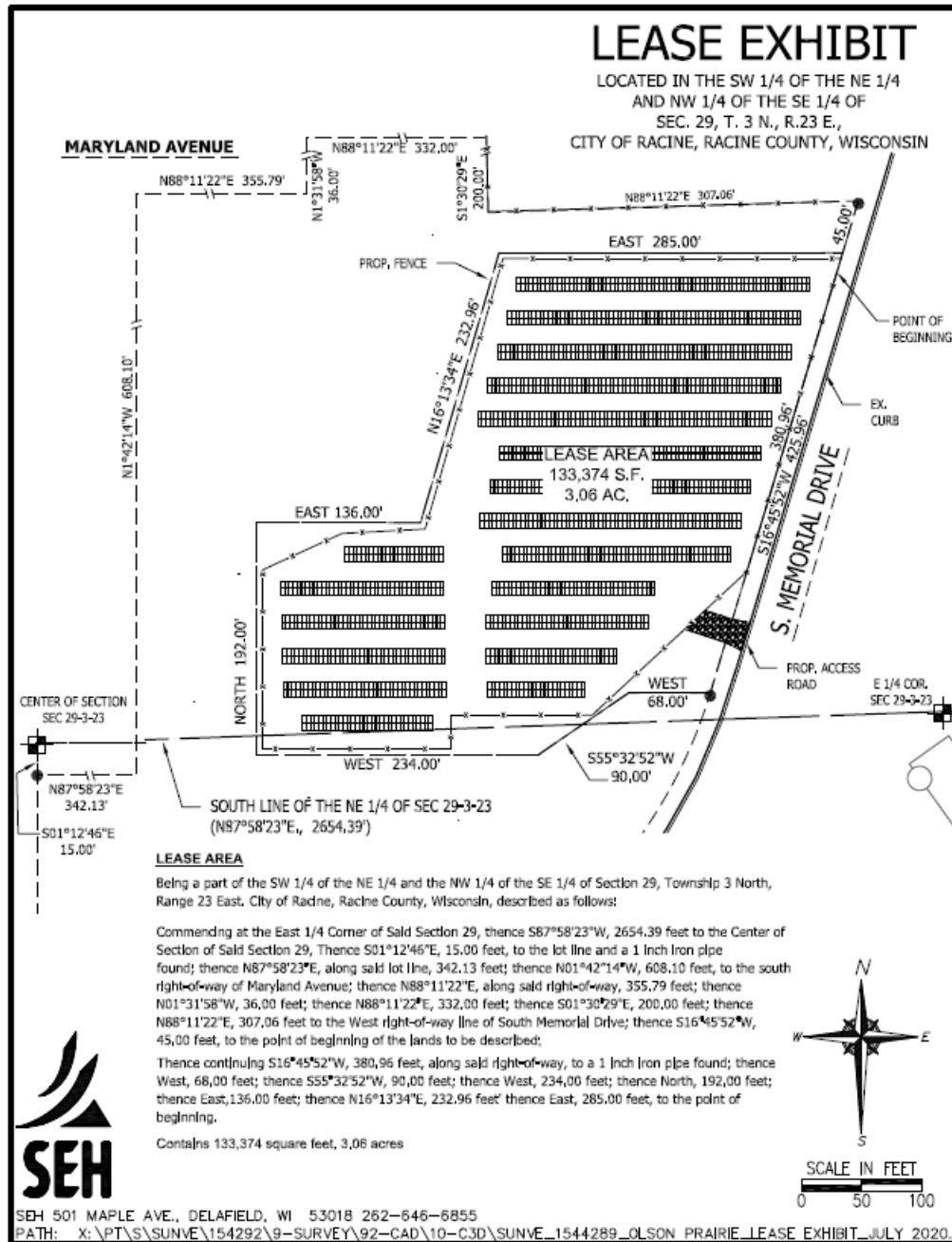
Name: \_\_\_\_\_

Title: \_\_\_\_\_

Title: \_\_\_\_\_

## Exhibit B (Revised)

### Description of Premises

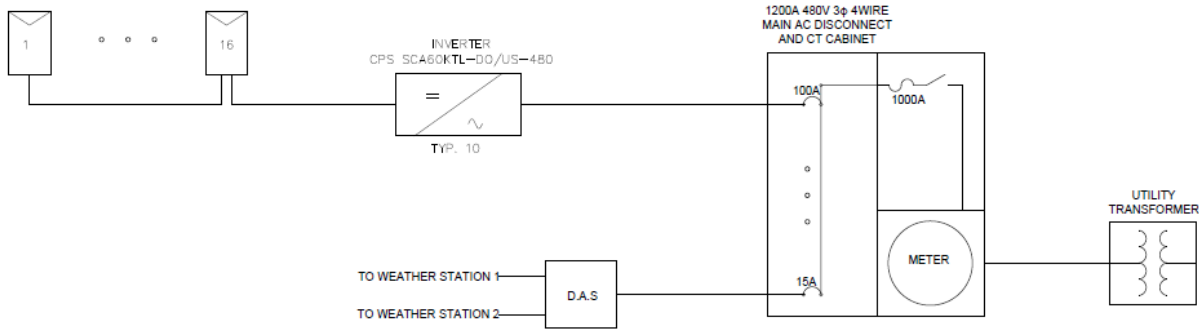



# EXHIBIT C (Revised)

## PV System

PV SYSTEM DETAILS	
ARRAY TYPE:	GROUND MOUNT
DC SYSTEM SIZE:	768.0 KW DC
DC SYSTEM VOLTAGE:	1000 V
AC SYSTEM SIZE:	600.0 KW AC
MODULES:	(1920) TRINA TSM-DE15H(I) 400W
INVERTERS:	(10) CPS SCA60KTL-00/US-480
OPTIMIZERS:	N/A
RACKING:	RBI
CLAMPS:	N/A
AZIMUTH:	180
ARRAY PITCH:	25

MPPT 1, 2 & 3  
TYPICAL OF 4 STRINGS  
(16) TRINA TSM-DE15H(I) 400W MODULES.





**SUNVEST SOLAR INC**  
187 W4202S PALM CT, SUITE 100  
 FOND DU LAC, WI 54935  
 PHONE: (920) 927-1200  
 WWW.SUNVEST.COM

---

STRUCTURAL ENGINEER STAMP

ELECTRICAL ENGINEER STAMP

CIVIL ENGINEER STAMP

PROFESSIONAL ENGINEER STAMPS

UNLESS OTHERWISE SPECIFIED, VERIFY THE  
 THIS PROJECT AT THE ELECTRICAL "E" SHEETS IN  
 THE DRAWING SET.  
 UNLESS OTHERWISE SPECIFIED, VERIFY THE  
 THIS PROJECT AT THE ELECTRICAL "E" SHEETS  
 IN THE DRAWING SET.  
 UNLESS OTHERWISE SPECIFIED, VERIFY THE  
 THIS PROJECT AT THE ELECTRICAL "E" SHEETS IN  
 THE DRAWING SET.  
 IT SHOULD BE NOTED THAT ANY OTHER SHEETS NOT  
 MENTIONED ABOVE HAVE BEEN PREPARED AND  
 REVISIONS, CHANGES AND DATE BEING PROVIDED  
 THROUGH THE INFORMATIONAL PURPOSES ONLY.

F	L
E	H
D	J
C	I
B	H
A	G

REV. DATE      REV. DATE  
 DRAWN BY: CR      CHECKED BY: CRP  
 SCALE AS NOTED      SHEET NO. 19-4-23

CITY OF RACINE  
 OLSEN PRAIRIE  
 3444 S MEMORIAL DR.  
 RACINE, WI 50403

SHEET TITLE  
 ONE LINE DIAGRAM

DWG. NO.  
**E-1.00**